



01/2016

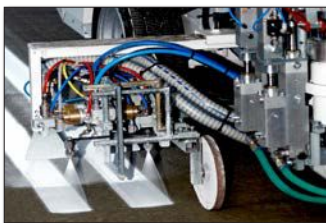
## H26-3



①



②



③



④

**A compact and narrow machine with high capacities and excellent hill climbing ability.**

- Robust, high-effective 7-ton construction machine axle with hydraulically switchable speed ranges combined with a high-speed hydraulic motor. The hydraulic drive can be disengaged completely to enable you to tow the machine in case of emergency, even for longer distances.
- Two pressurised glass bead tanks. Filling openings for glass beads at the side of the machine in ideal filling height. Option: Pneumatic agitator for homogenising of glass beads.
- Cockpit with all operating elements laterally adjustable without the need to install guides.
- Arrangement of operating and supervising instruments can be easily modified according to individual requirements. Adjustable, easy extractable spraygun support for center- and edge line markings.
- Individual applications units are exchangeable (exchangeable container) with low effort by quick opening device systems and modular design principle.
- Turn-up-platform at rear of the machine. Engine compartment easily accessible for service work. High ground clearance also eases service works from below.
- Excellent panoramic view, also when driving backwards.

- ① H26-3 machine for sprayable thermoplastics, incl. 2 sprayguns and atomising air heating
- ② Thermoplastic marker unit with extruder 30 cm (6 x 5)
- ③ 2-component sprayable cold plastic double gun incl. glass bead guns
- ④ 2-component cold plastic metering below pump system Spotflex® with glass bead guns

# H26-3

Combinations possible!



## Technical Data

4-cylinder 3800 cm<sup>3</sup>, Kubota Turbo diesel engine, water-cooled

74,0 kW at 2600 rpm

### Version I:

low-emission **EU Stage II** resp. (US) EPA Tier 2

### Version II:

low-emission **EU Stage IIIA** resp. (US) EPA Tier 3

Fuel tank: 82 l in safety zone in front of rear axle

Hydraulic oil tank: 86 l

Air output, alternatively: 1080 - 3000 l/min at 7,5 bar; compressed-air cooler

Drive unit:

- infinitely variable hydraulic drive
- acts simultaneously as service brake

- speed ranges:  
2: 0-5,3 / 0-19,5 km/h  
4: 0-4,3 / 0-6,5 / 0-16,0 / 0-24,5 km/h

Power-take-offs for up to 5 hydraulic pumps, for several drives like material metering pumps, agitators etc.

Pressure glass bead container: 2 x 112 l (up to max. 3 bar) or 2 x 170 l (angular, max.1,1 bar)

Turning circle: 12,5 m (dependent on equipment)

Dimensions (L x W x H mm): 5975 x 1260 x 2410 (dependent on equipment)

Weight, equipped: approx. 2200 - 2800 kg approx. 4850 - 6150 lbs

Max. gradient angle: 50 % (26°) at 5500 kg/12125 lbs at low speed

Total admissible weight: approx. 5500 kg approx. 12125 lbs

## A Cold paints

Containers up to 920 l\* (mounted longitudinally: up to 385 l\* (swivel-mounted pressure container).

460 l- and 800 l pressure container are suitable for equipment with universal pump (up to 24 l/min pump capacity), can be operated also unpressurised.

Universal pump suitable for high-pressure spraying method (Airless) and low-pressure spraying method (atomising-air-spraying method/Airspray).

Using the Airspray method the pump is also suitable for non-airless paints with or without mixed-in glass beads. (see information n° 374 and 382)

Marking with control governed by travelled distance (AMAKOS®) can be used under certain circumstances:

Constant line thickness irrespective of marking speed as well as manual adjustments are selectable. (see information n° 396)

## A 2-component cold plastics

Containers cold spray plastics: up to 920 l\*

cold plastics: up to 600 l\*

460 l and 800 l pressure container (only 98:2) are suitable for equipment with universal pump (up to 24 l/min pump capacity), can be operated also unpressurised.

Sprayable cold plastics 1:1 and 98:2 Universal pump suitable for high-pressure spraying method (Airless) and low-pressure spraying method (atomising-air-spraying method/Airspray). Using the Airspray method the pump is also suitable for non-airless sprayable cold plastics with or without mixed-in glass beads. (see information n° 374, 387)

Extrud. cold plastics 1:1 and 98:2 Plain, structured (agglomerate), Spotflex® (bellow pump or pressurised container system) as well as profiled markings (screed box system) up to 15 mm line thickness (depending on material). (see information n° 379, 384, 385)

## A Thermoplastics

Containers extrudable thermoplastics: up to 450 l\* Container heated by LPG or diesel oil.

Open thermoplastic screed boxes with oil jacket and LPG- or diesel oil heating, incl. exchangeable shutters for line widths from 10-50 cm as well as equipments for profiled markings. (see information n° 279)

Closed thermoplastic screed boxes heated directly from container, with oil circulation pump.

Thermoplastic extruder for single-, double- and triple lines of variable width, for simultaneous application of continuous / interrupted lines as well as for agglomerate- (MultiDotLine®/ MultiDotLine® Plus) and profiled markings. Due to its modular design, existing extruders can be modified at any time in order to execute different plain- and profiled markings (see information n° 254,279,343,381)

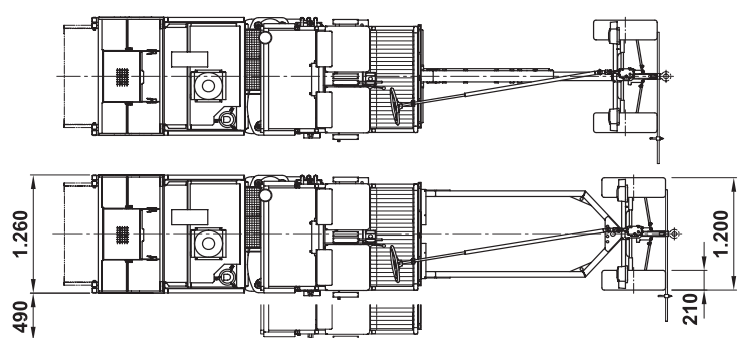
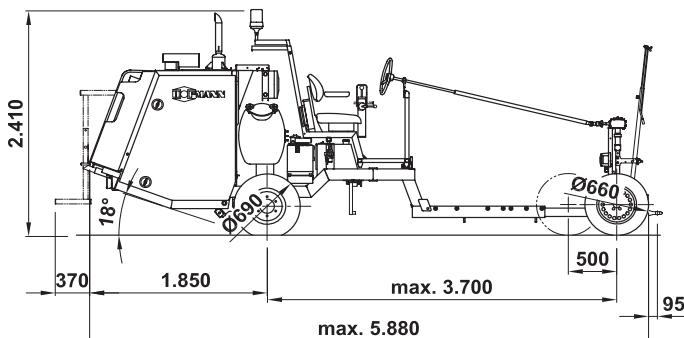
## A Sprayable thermoplastics

Containers sprayable thermoplastics: up to 450 l\* Container heated by LPG or diesel oil.

Gun support for several spray guns infinitely laterally adjustable between left and right side of machine.

Heat transfer oil circulating pump and heat exchanger for heating of atomiser air for improvement of material sprayability.

Pressurised container: container wall detachable for easy cleaning. In case of an air pressure drop an emergency valve automatically closes.



(Customised sizes upon request)